



REPLY TO  
ATTENTION OF

DEPARTMENT OF THE ARMY  
THE INSTITUTE OF HERALDRY  
9325 GUNSTON ROAD, ROOM S112  
FORT BELVOIR, VIRGINIA 22060-5579

AAHS-IHS (840-10a)

MAY 01 2014

MEMORANDUM FOR Commander, 27th Engineer Battalion, ATTN: S1 (CPT Carlos Bates), 4235 Essayons Drive, Stop A, Fort Bragg, NC 28310-5000

SUBJECT: Beret Flash and Background Trimming for the 738th Engineer Company

1. In accordance with the provisions of AR-670-1, a beret flash and background trimming are authorized for wear by members of the 738th Engineer Company.
2. The descriptions of the designs are as follows:

**BERET FLASH**

A red shield-shaped embroidered item with a semi-circular base 2 1/4 inches (5.72 cm) in height and 1 7/8 inches (4.76 cm) in width overall, a blue pile divided horizontally by a white bar 1/16 inch (.16 cm) in width within a 1/16 inch (.16 cm) yellow inner border; all within a 1/8 inch (.32 cm) blue outer border.

**BACKGROUND TRIMMING**

A red oval-shaped embroidered item 1 3/8 inches (3.49 cm) in height and 2 1/4 inches (5.72 cm) in width overall, a blue pile divided horizontally by a white bar 1/16 inch (.16 cm) in width within a 1/16 inch (.16 cm) yellow inner border; all within a 1/8 inch (.32 cm) blue outer border.

**CABLE NUMBERS OF COLORS**

Ultramarine Blue	#67118
Yellow	#67108
White	#67101
Scarlet	#67111

3. This authorization does not grant exclusive use of the above colors and pattern design for the 738th Engineer Company.

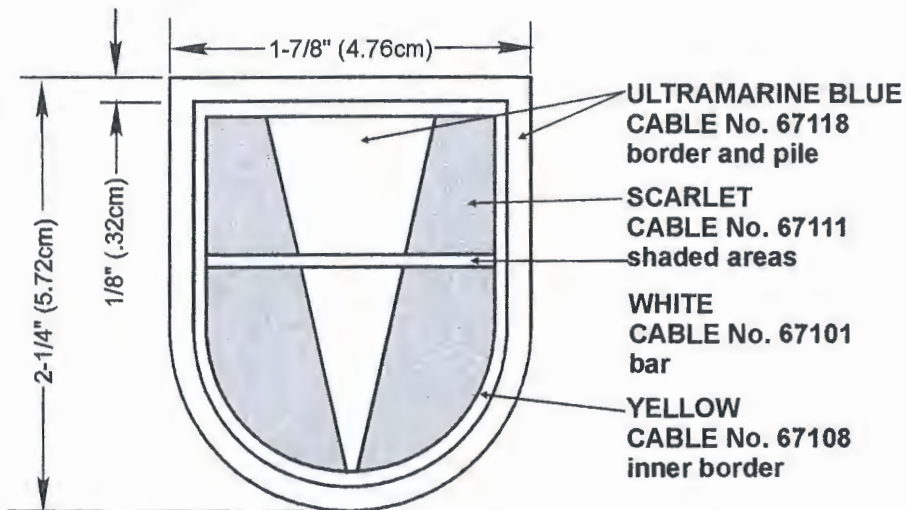
  
CHARLES V. MUGNO  
Director

CF: CMH

67111

**REVISIONS**

LTR	DESCRIPTION	DATE	APPROVED
-----	-------------	------	----------



**DESIGNED FOR OVEREDGE STITCHING**

UNLESS OTHERWISE SPECIFIED DIMENSIONS ARE IN INCHES  
TOLERANCES ON FRACTIONS DECIMALS ANGLES

MATERIALS:  
TO BE MANUFACTURED IN ACCORDANCE WITH MIL-DTL-14652

EXAMINED	TC	
CHECKED	OW	SAP
PREPARED	ELN	

APPROVED  
*Charles V. Mugno*  
CHARLES V. MUGNO  
DIRECTOR

THE INSTITUTE OF HERALDRY, DEPARTMENT OF THE ARMY  
9325 GUNSTON RD, RM S-113 FORT BELVOIR, VA 22060-5579

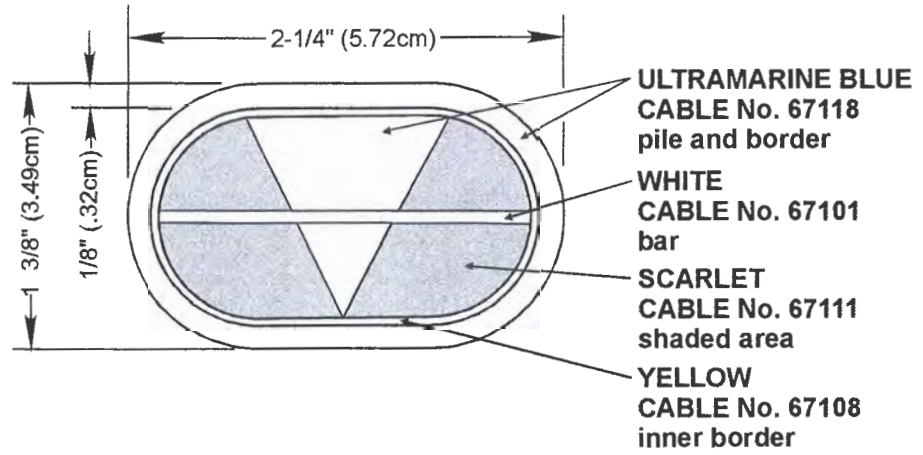
BERET FLASH FOR  
**738TH ENGINEER COMPANY**

SIZE	CONTROL IDENT. NO	<b>A-4-293</b>
<b>A</b>	<b>22571</b>	

SCALE	DATE
FULL	18 APRIL 2014

**REVISIONS**

LTR	DESCRIPTION	DATE	APPROVED
-----	-------------	------	----------



**DESIGNED FOR OVEREDGE STITCHING**

UNLESS OTHERWISE SPECIFIED DIMENSIONS ARE IN INCHES TOLERANCES ON FRACTIONS DECIMALS ANGLES

MATERIALS:  
TO BE MANUFACTURED IN ACCORDANCE WITH MIL-DTL-14652

EXAMINED		
CHECKED	<i>CLW</i>	<i>SOP</i>
PREPARED	<i>CLW</i>	

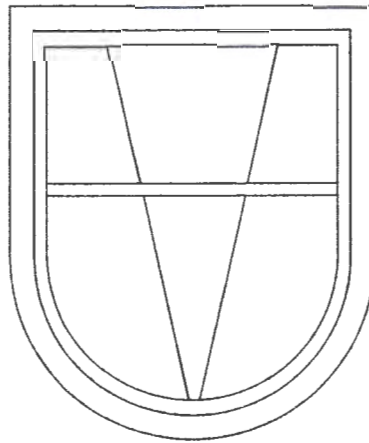
APPROVED  
*Charles V. Murno*  
CHARLES V. MURNO  
DIRECTOR

THE INSTITUTE OF HERALDRY, DEPARTMENT OF THE ARMY  
9325 GUNSTON RD, RM S-113 FORT BELVOIR, VA 22060-5579

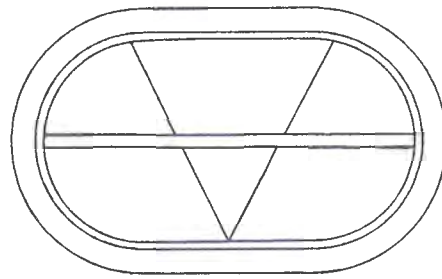
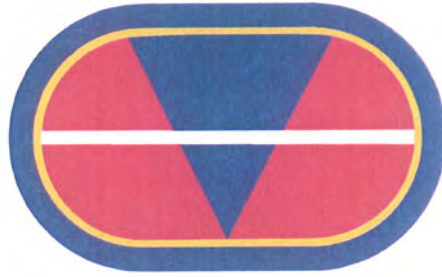
BACKGROUND TRIMMING FOR  
**738TH ENGINEER COMPANY**

SIZE	CONTROL IDENT. NO	<b>A-6-320</b>
<b>A</b>	<b>22571</b>	

SCALE	FULL	DATE	<b>18 APRIL 2014</b>
-------	------	------	----------------------



738TH ENGINEER COMPANY  
FLASH



738TH ENGINEER COMPANY  
BACKGROUND TRIMMING